

The Netherlands



50R-00333



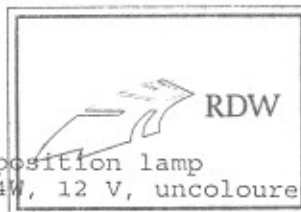
Communication concerning: ~~APPROVAL GRANTED~~  
~~APPROVAL EXTENDED~~  
~~APPROVAL REFUSED~~  
~~APPROVAL WITHDRAWN~~  
~~PRODUCTION DEFINITELY DISCONTINUED~~ \*

of a type of: front position lamp  
~~rear position lamp~~  
~~stop lamp~~  
~~direction indicator of category 11 12 31~~  
~~rear registration plate illuminating device of category 1-2~~ \*  
 pursuant to Regulation No. 50

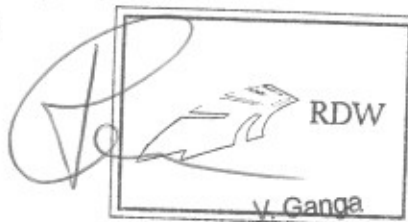
Approval No. 50R-00333

Extension No. 1

1. Trade name or mark of the device : Hella
2. Manufacturer's name for the type of device : 1A6.011
3. Manufacturer's name and address : Hella KG Hueck & Co.  
Lippstadt, Germany
4. Name and address of his representative (if applicable) : Sluyter B.V.  
Celciusbaan 2, 3430 BJ Nieuwegein, The Netherlands
5. Submitted for approval on : May 3, 1971; January 30, 1991;  
April 4, 1996; October 14, 1996
6. Technical service responsible for conducting approval tests : N.V. KEMA
7. Date of report issued by that service : May 27, 1971; February 19, 1991;  
May 8, 1996; October 25, 1996
8. Number of report issued by that service : II 5273-71; 91-2023; 96-076;  
96-221
9. Concise description:  
 Functions, if applicable category of lamp, categories and number of filament lamps, rated voltage and colour of light emitted : front position lamp  
 (1x) T4W, 12 V, uncoloured



10. Position of the approval mark : see drawing
11. Reason for extension : modification of the drawing for the two possible already approved positions of the front position lamp
12. Approval ~~granted~~/extended/~~refused~~/~~withdrawn~~ \*
13. Place : Zoetermeer
14. Date : 11 NOV. 1996
15. Signature :



RDW  
v. Ganga

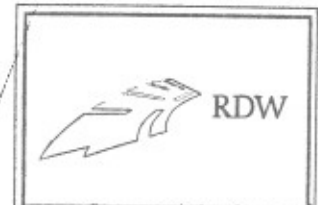
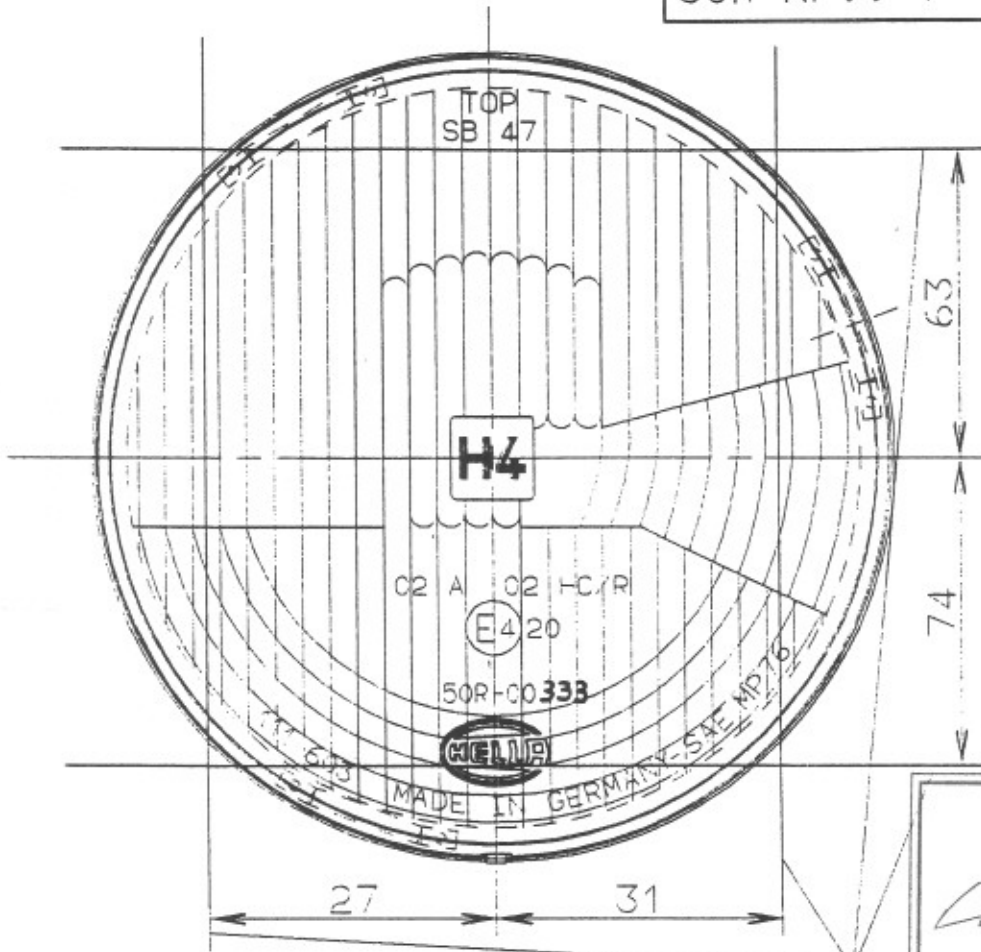
16. The list of documents deposited with the Administrative Service which has granted approval is annexed to this communication and may be obtained on request:
- 1 drawing No. SL-TP:02.07.411-4 dated 2.10.96
  - test reports as mentioned in item 8



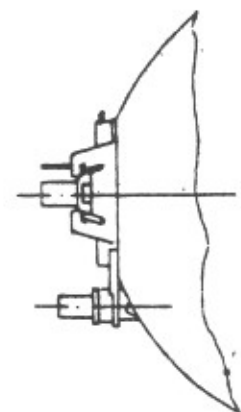
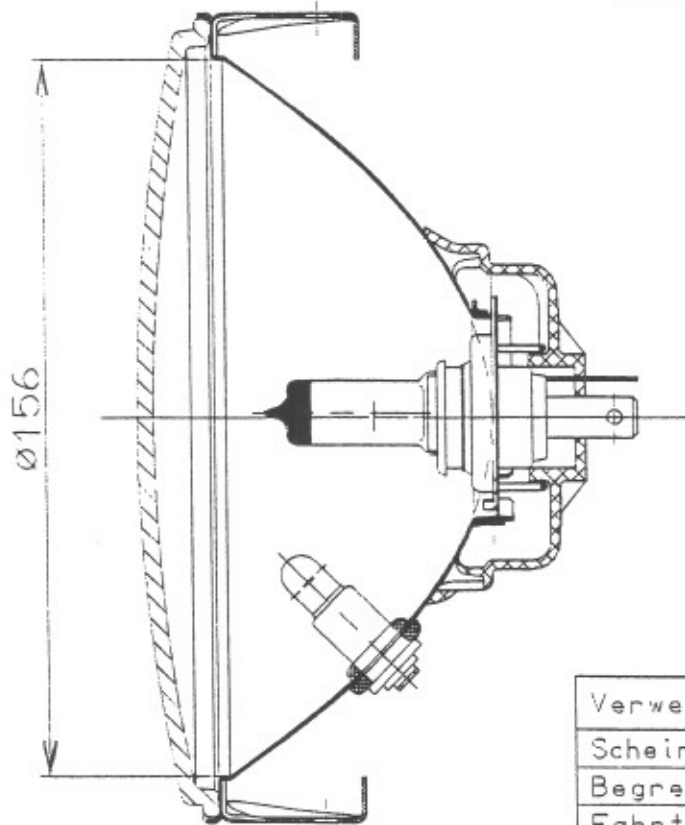
KFZ-Scheinwerfer mit asymm.  
Abblendlicht und Begrenzungsleuchte

Typ  
1A6.011

Gen-Nr.: 1 / 50R-00333



äußere Grenzlinien für  
die leuchtende Fläche  
der Begrenzungsleuchte

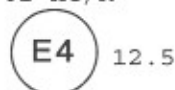


Verwendete Gluehlampe	Kategorie
Scheinw. f. Abblendlicht	H4/12V
Begrenzungsleuchte	T4w/12V
Fahrtrichtungsanzeiger	
Scheinw. f. Fernlicht	H4/12V
SL-TP:02.07.411-4	2.10.96/FRIT

Hella KG Hueck & Co Lippstadt

The Netherlands

02 HC/R



1



Communication concerning: ~~approval granted~~  
~~approval refused~~  
 approval extended  
~~approval withdrawn~~  
~~production definitely discontinued \*~~  
 of a type of headlamp pursuant to Regulation No. 20

Approval No. 02 1

Extension No. 1

- |     |   |   |
|-----|---|---|
| 1.  | Trade name or mark of the device  | : Hella   |
| 2.  | Manufacturer's name for the type of device  | : 1A6.011   |
| 3.  | Manufacturer's name and address   | : Hella KG Hueck & Co.<br>Lippstadt, Germany  |
| 4.  | Name and address of his representative:<br>(if applicable)  | : Sluyter B.V.<br>Celciusbaan 2, 3430<br>The Netherlands  |
| 5.  | Submitted for approval on   | : May 3, 1971; January 30, 1991;<br><u>October 14, 1996</u>   |
| 6.  | Technical service responsible for<br>conducting approval test                                     | : N.V. KEMA   |
| 7.  | Date of test report   | : May 26, 1971; February 19, 1991;<br><u>October 25, 1996</u>   |
| 8.  | Number of test report   | : II 5271-71 and II 5272-71; 91-<br>2023; <u>96-221</u>   |
| 9.  | Brief description:<br>Category as described by the relevant<br>marking<br>Colour of light emitted | : HC/R<br>: white/ <del>selective yellow</del> *  |
| 10. | Position of the approval mark   | : see annexed drawing   |
| 11. | Reasons for extension if applicable   | : modification of the drawing for<br>the two possible already approved<br>positions of the front position<br>lamp |



postbus 777  
2700 AT zoetermeer

europaweg 205  
tel. (079) 45 81 00  
fax. (079) 45 80 21

bereikbaar met  
n.s. zoetermeer stadslijn  
halte stadhuis

12. Approval ~~granted/refused/extended/~~  
~~withdrawn~~ \*

13. Place : Zoetermeer

14. Date : 11 NOV. 1996

15. Signature :



RDW  
V. Ganga

16. The list of documents deposited with the Administrative Service which has granted approval is annexed to this communication and may be obtained on request:

- 1 drawing No. SL-TP:02.07.411-4 dated 2.10.96
- test reports as mentioned in item 8

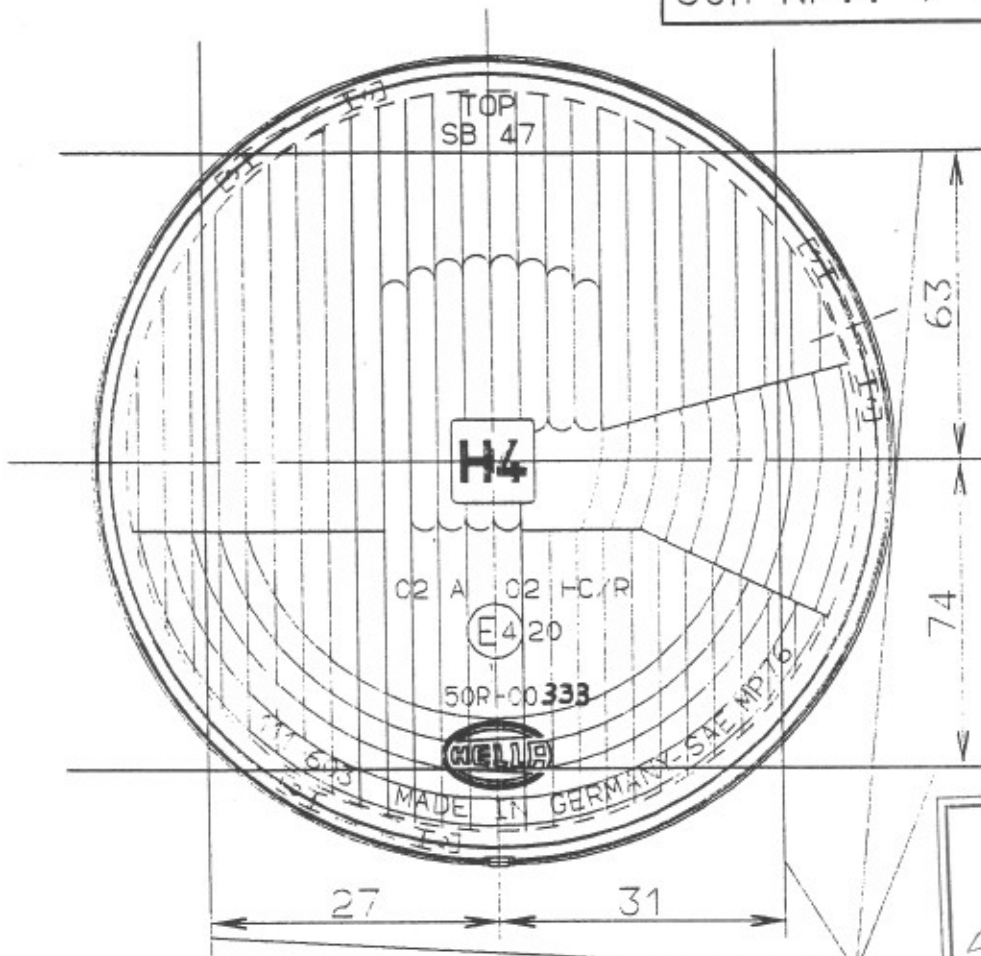
\* strike out what does not apply



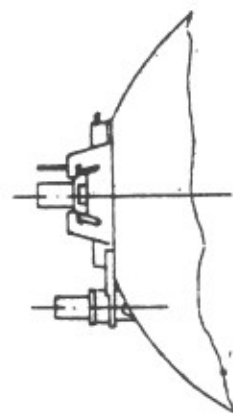
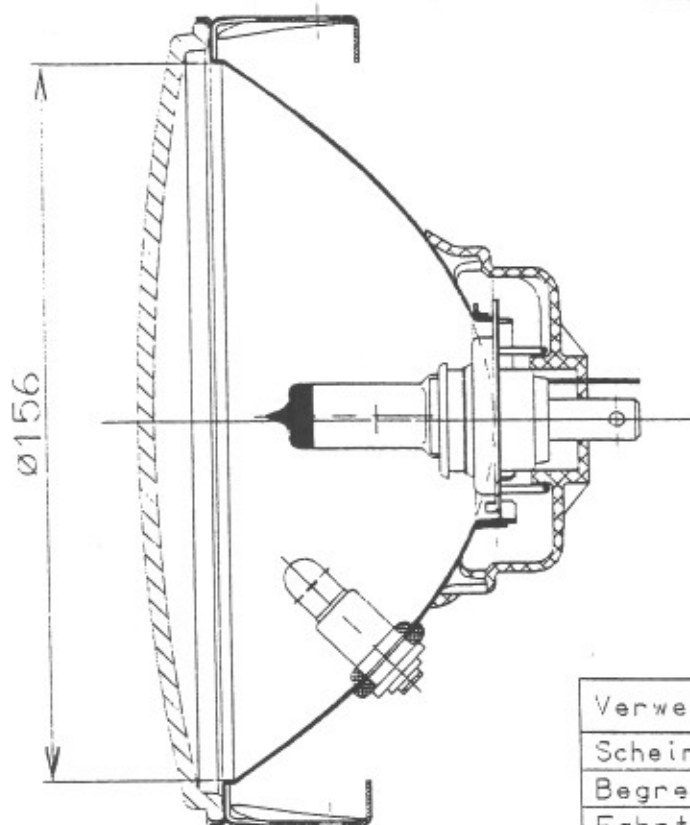
KFZ-Scheinwerfer mit asymm.  
Abblendlicht und Begrenzungsleuchte

Typ  
1A6.011

Gen-Nr.: 1 / 50R-00333



äußere Grenzlinien für  
die leuchtende Fläche  
der Begrenzungsleuchte

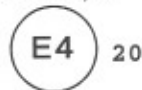


Verwendete Gluehlampe	Kategorie
Scheinw. f. Abblendlicht	H4/12V
Begrenzungsleuchte	T4w/12V
Fahrtrichtungsanzeiger	
Scheinw. f. Fernlicht	H4/12V
SL-TP:02.07.411-4	2.10.96/FRIT

Hella KG Hueck & Co Lippstadt



02 HC/R



1

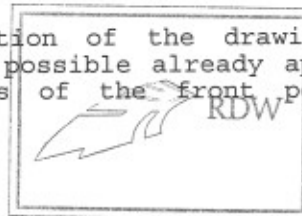


Communication concerning: ~~approval granted~~  
~~approval refused~~  
~~approval extended~~  
~~approval withdrawn~~  
~~production definitely discontinued \*~~  
of a type of headlamp pursuant to Regulation No. 20

Approval No. 02 1

Extension No. 1

- |     |   |   |
|-----|---|---|
| 1.  | Trade name or mark of the device  | : Hella   |
| 2.  | Manufacturer's name for the type of device  | : 1A6.011   |
| 3.  | Manufacturer's name and address   | : Hella KG Hueck & Co.<br>Lippstadt, Germany  |
| 4.  | Name and address of his representative:<br>(if applicable)  | : Sluyter B.V.<br>Celciusbaan 2, 3430 BJ Nieuwegein<br>The Netherlands  |
| 5.  | Submitted for approval on   | : May 3, 1971; January 30, 1991;<br><u>October 14, 1996</u>   |
| 6.  | Technical service responsible for<br>conducting approval test                                     | : N.V. KEMA   |
| 7.  | Date of test report   | : May 26, 1971; February 19, 1991;<br><u>October 25, 1996</u>   |
| 8.  | Number of test report   | : II 5271-71 and II 5272-71; 91-<br>2023; <u>96-221</u>   |
| 9.  | Brief description:<br>Category as described by the relevant<br>marking<br>Colour of light emitted | : HC/R<br>: white/ <del>selective yellow</del> *  |
| 10. | Position of the approval mark   | : see annexed drawing   |
| 11. | Reasons for extension if applicable   | : modification of the drawing for<br>the two possible already approved<br>positions of the front position<br>lamp |



Approval No. 02 1

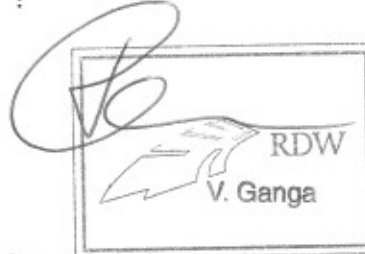
Extension No. 1  
Correction 1

12. Approval ~~granted/refused/extended/~~  
~~withdrawn~~ \*

13. Place : Zoetermeer

14. Date : 11. NOV 1996

15. Signature :

A handwritten signature in black ink is written over a rectangular official stamp. The stamp contains the text 'RDW' and 'V. Ganga' below a stylized graphic of a river or map.

16. The list of documents deposited with the Administrative Service which has granted approval is annexed to this communication and may be obtained on request:

- 1 drawing No. SL-TP:02.07.411-4 dated 2.10.96
- test reports as mentioned in item 8

\* strike out what does not apply

Regulation 20

651-9045

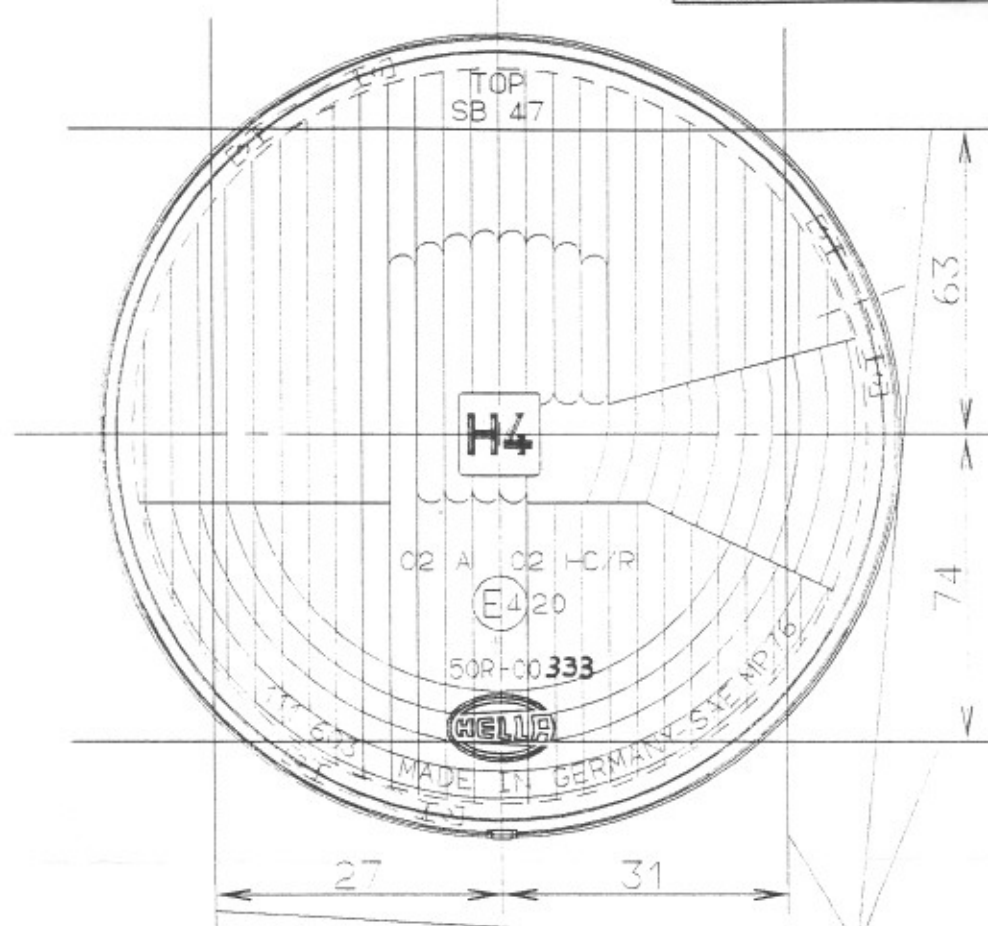




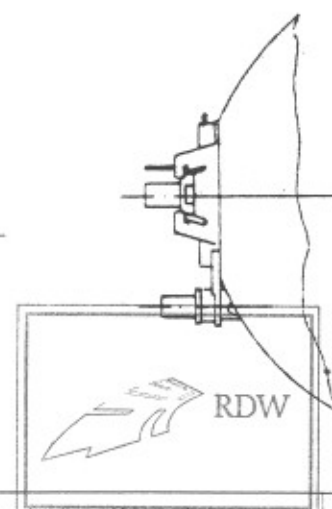
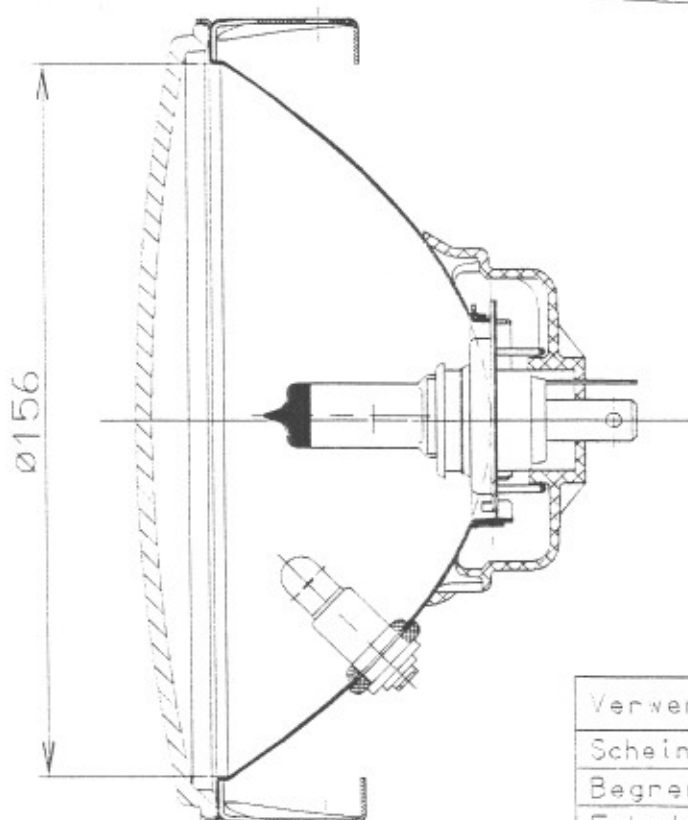
KFZ-Scheinwerfer mit asymm.  
Abblendlicht und Begrenzungsleuchte

Typ  
1A6.011

Gen-Nr.: 1 / 50R-00333



äußere Grenzlinien für  
die leuchtende Fläche  
der Begrenzungsleuchte



Verwendete Glühlampe	Kategorie
Scheinw. f. Abblendlicht	H4/12V
Begrenzungsleuchte	T4W/12V
Fahrtrichtungsanzeiger	
Scheinw. f. Fernlicht	H4/12V
SL-TP:02.07.411-4	2.10.96/FRIT

Hella KG Hueck & Co Lippstadt

The Netherlands



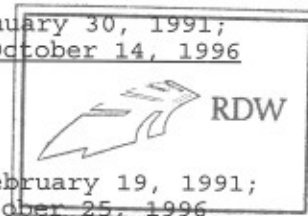
Communication concerning: ~~approval granted~~  
~~approval extended~~  
~~approval refused~~  
~~approval withdrawn~~  
~~the production definitely discontinued \*~~

of a type of device pursuant to Regulation No. 7

Approval No. 02 1

Extension No. 1

- |   |  |
|---|--|
| 1. Trade name or mark of the device                                     | : Hella  |
| 2. Manufacturer's name for the type of device                           | : 1A6.011  |
| 3. Manufacturer's name and address                                      | : Hella KG Hueck & Co.<br>Lippstadt, Germany   |
| 4. If applicable, name and address of the manufacturer's representative | : Sluyter B.V.<br>Celciusbaan 2, 3430 BJ Nieuwegein,<br>The Netherlands                                  |
| 5. Submitted for approval on  | : May 3, 1971; <u>January 30, 1991;</u><br><u>April 4, 1996; October 14, 1996</u>                        |
| 6. Technical service responsible for conducting approval tests          | : N.V. KEMA  |
| 7. Date of test report  | : May 27, 1971; February 19, 1991;<br>May 8, 1996; <u>October 25, 1996</u>                               |
| 8. Number of test report  | : II 5273-71; 91-2023; 96-076; <u>96-221</u>   |
| 9. Concise description:   |  |
| By category of lamps  | : A  |
| Colour of light emitted   | : <del>red/selective yellow/white *</del>  |
| Number and category of filament lamp(s)                                 | : (1x) T4W   |
| 10. Position of the approval mark                                       | : see drawing  |
| 11. Reason for extension  | : modification of the drawing for the two possible already approved positions of the front position lamp |



12. Approval ~~granted/refused,~~  
extended/~~withdrawn~~ \*

13. Place : Zoetermeer

14. Date : 11 NOV. 1996

15. Signature :



A handwritten signature is written over a rectangular official stamp. The stamp contains the text "RDW" and "V. Ganga" below a stylized graphic of a bird or wing.

16. The list of documents deposited with the Administrative Service which has granted approval is annexed to this communication and may be obtained on request:  
- 1 drawing No. SL-TP:02.07.411-4 dated 2.10.96  
- test reports as mentioned in item 8

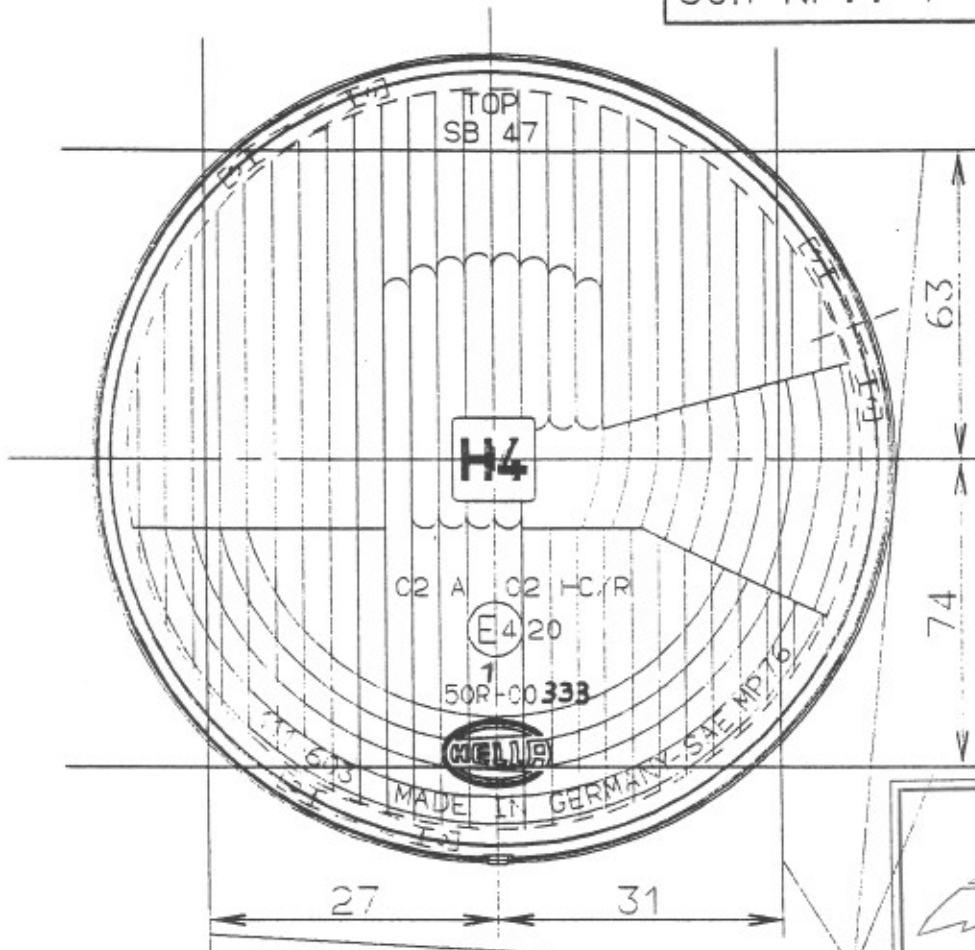
\* Strike out what does not apply



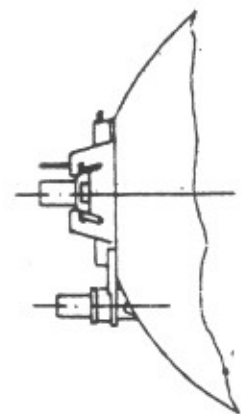
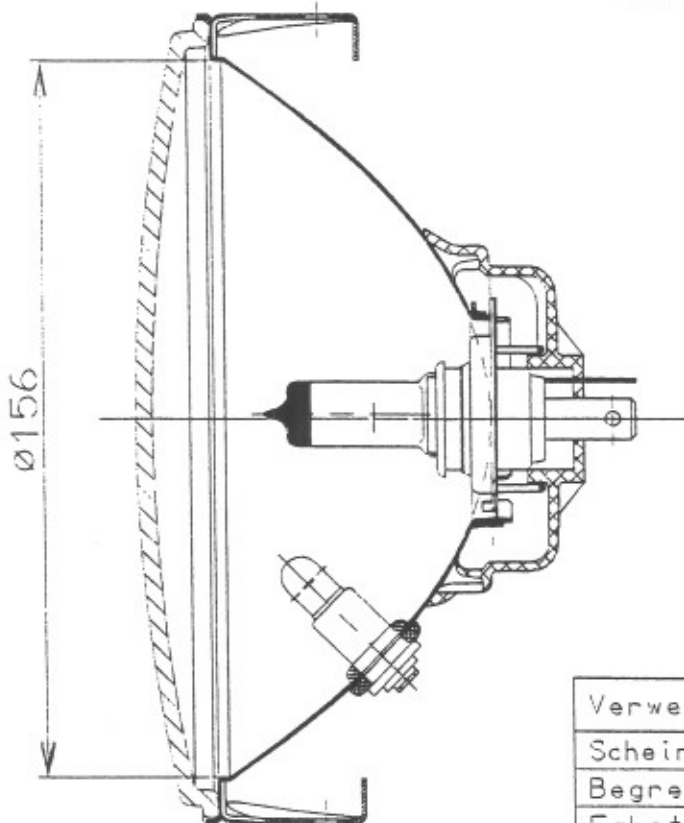
KFZ-Scheinwerfer mit asymm.  
Abblendlicht und Begrenzungsleuchte

Typ  
1A6.011

Gen-Nr.: 1 / 50R-00333



äußere Grenzlinien für  
die leuchtende Fläche  
der Begrenzungsleuchte



Verwendete Gluehlampe	Kategorie
Scheinw. f. Abblendlicht	H4/12V
Begrenzungsleuchte	T4w/12V
Fahrtrichtungsanzeiger	
Scheinw. f. Fernlicht	H4/12V
SL-TP:02.07.411-4	2.10.96/FRIT

Hella KG Hueck & Co Lippstadt